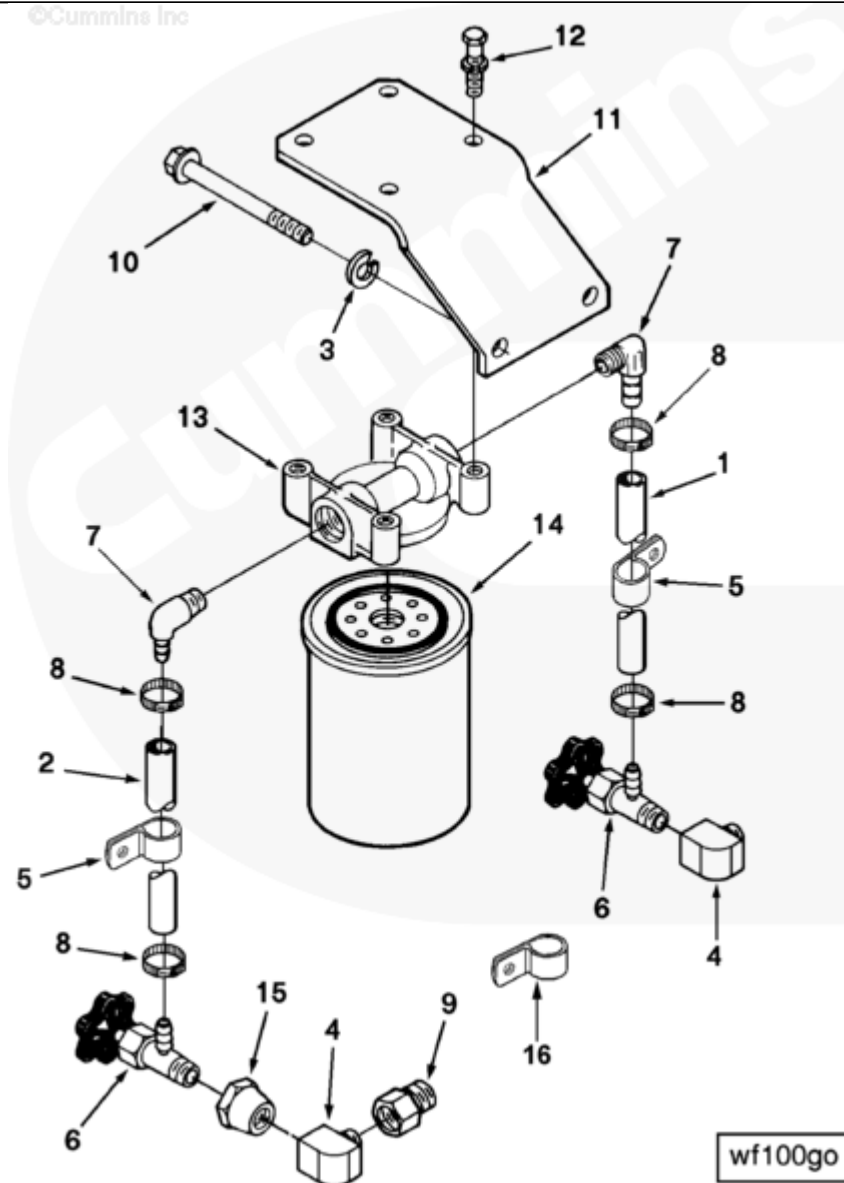




Parts Catalog - Option Detail

Electronic Parts Catalog - Option Detail				
Option	Group	Graphic	Film Card	Date
WF1062	08.08	wf100go	F	20-JAN-99
Engines	NH/NT 855, NT495, NT743, NTA855 N106			



wf100go

[SMALL](#) | [MEDIUM](#) | [LARGE](#)

Cart	Ref No	Part Number	Part Description	Required	Remarks
<input type="button" value="View My Cart"/>					
		WF1062	Corrosion Resistor		

					Corrosion Resistor
					Spin on corrosion resistor
					mounted on bracket located at
					front port of water cooled
					exhaust manifold and plumbed.
					Mounting code 1401. For
					Brazil use MP22250 in place
					of 3013143.
<input type="checkbox"/>	1	179924	Plain Hose	1	
<input type="checkbox"/>	2	179934	Plain Hose	1	
<input type="checkbox"/>	3	S 610	Lock Washer	2	7/16 in.
<input type="checkbox"/>	4	70470	Plain Street Pipe Elbow	1	
<input type="checkbox"/>	5	152767	Clip	2	
<input type="checkbox"/>	6	179901	Shut-Off Valve	2	
<input type="checkbox"/>	7	179903	Elbow Hose Coupling	2	
<input type="checkbox"/>	8	179904	Hose Clamp	4	3/8 - 7/8 in.
<input type="checkbox"/>	9	187317	Plain Adapter	1	
<input type="checkbox"/>	10	190799	Hexagon Head Cap Screw	2	7/16 - 14 x 4 3/4 inch
<input type="checkbox"/>	11	3010360	Corrosion Resistor Bracket	1	
<input type="checkbox"/>	12	3010596	Captive Washer Cap Screw	4	3/8 - 16 x 1 1/4 in.
<input type="checkbox"/>		3827107	Corrosion Resistor	1	
<input type="checkbox"/>	13	204163	Corrosion Resistor Head	1	
<input type="checkbox"/>	14	3318319	Corrosion Resistor	1	
<input type="checkbox"/>	15	3820760	Reducing Pipe Adapter	1	
<input type="checkbox"/>	16	69911 A	Clip	1	